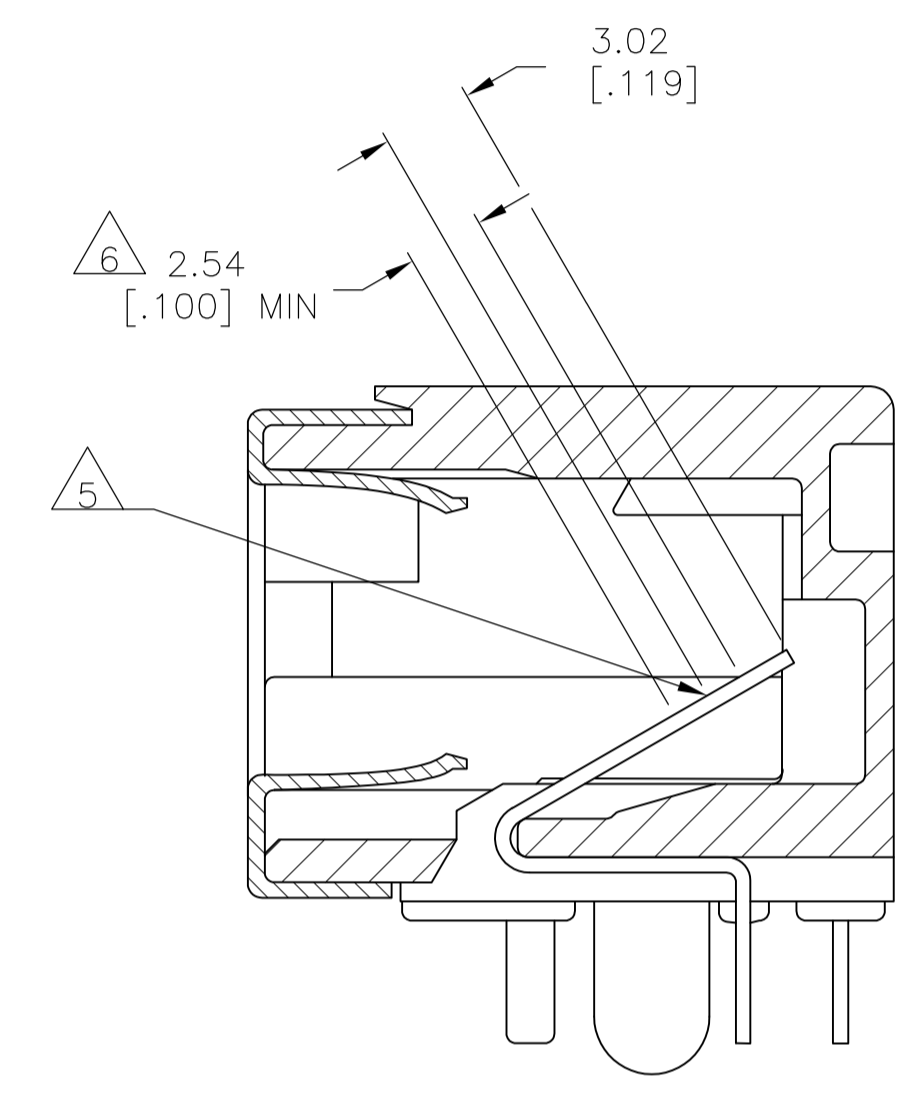
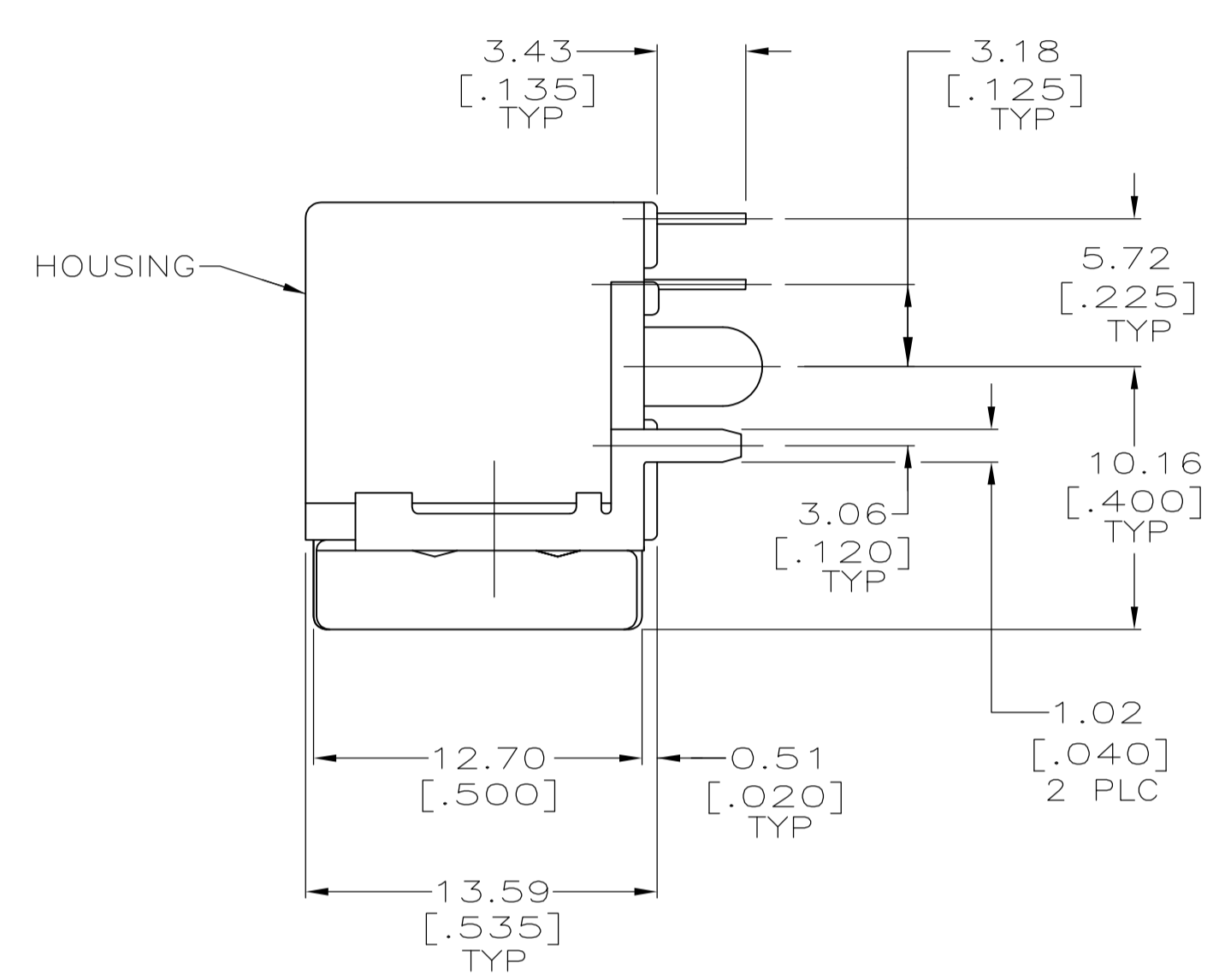
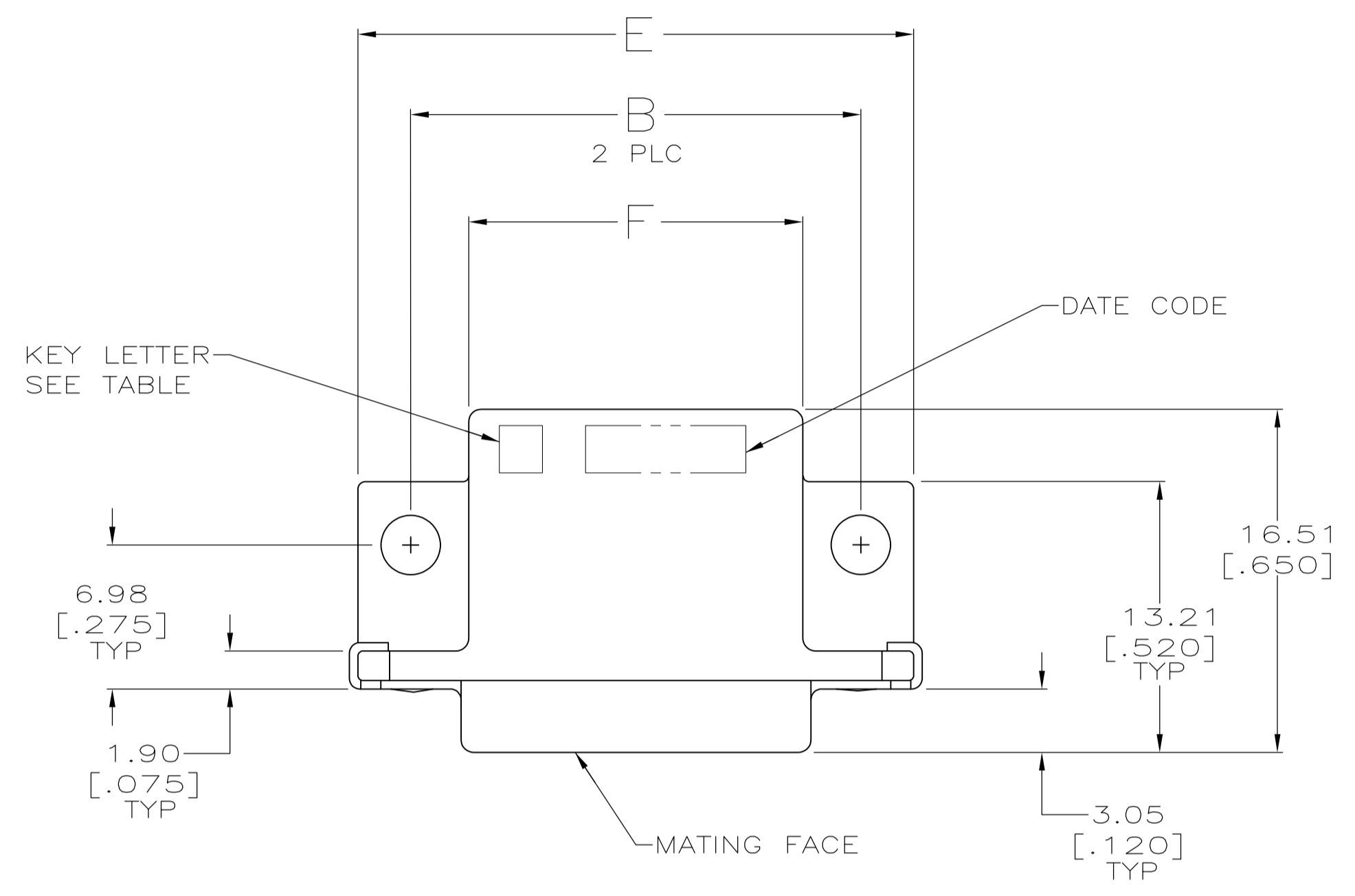
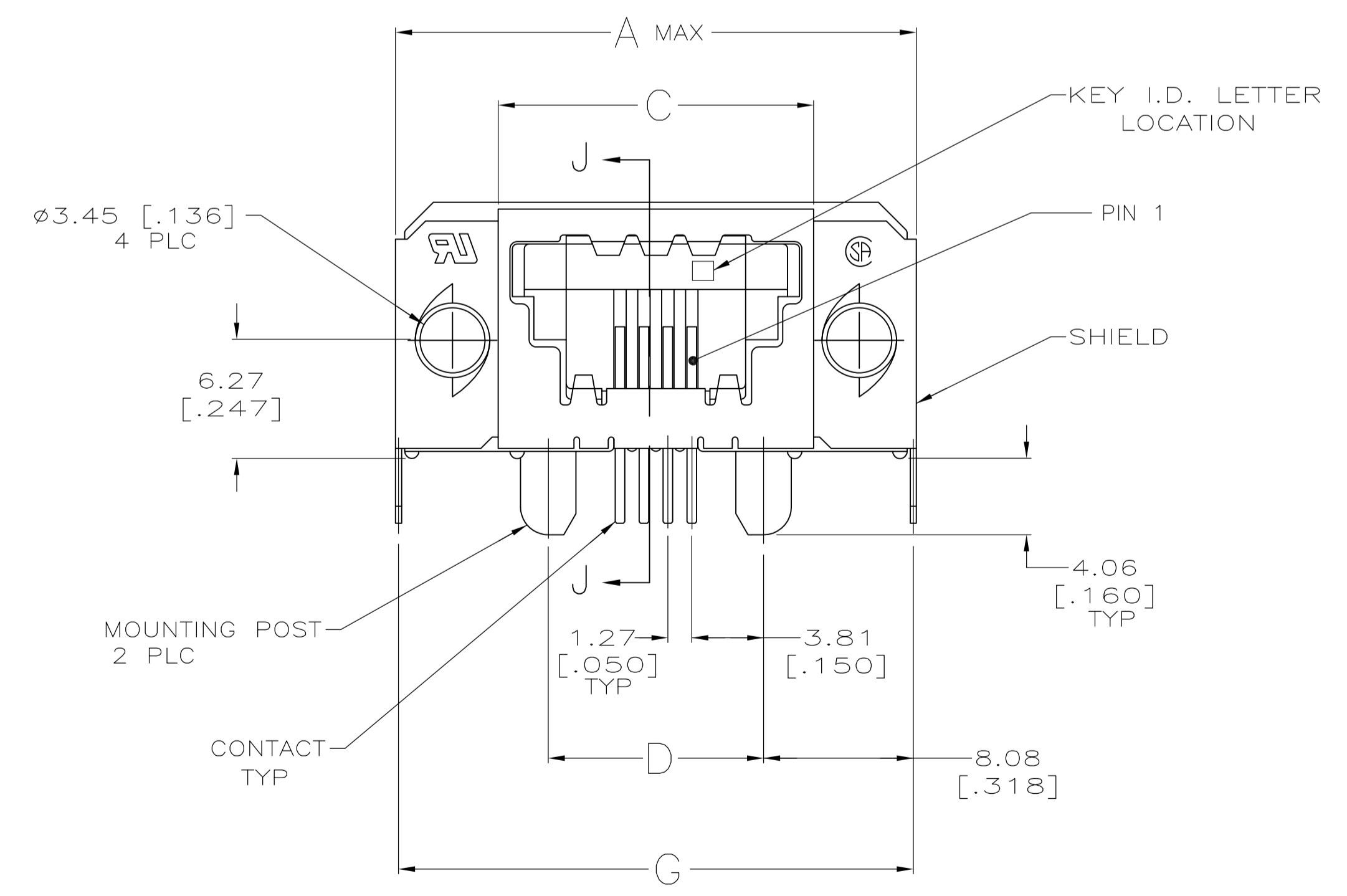


- PREFIX AND SUFFIX NUMBERS MUST MATCH THOSE ON PLUG ASSEMBLY FOR PARTS TO MATE.
- POLYESTER, FLAME RETARDANT, UL 94V-0 RATED, GLASS FILLED, BLACK.
- 3.81µm [.000150] MIN BRIGHT TIN OVER 1.27µm [.000050] MIN NICKEL.
- 1.27µm [.000050] MIN GOLD ON MATING SURFACE FOR A LENGTH OF 2.54 [.100] MIN, 3.81µm [.000150] MIN MATTE TIN ON OPPOSITE END FOR A LENGTH OF 3.81 [.150] MIN, BOTH OVER 1.27µm [.000050] MIN NICKEL ON ENTIRE CONTACT.
- POINT OF PLATING MEASUREMENT.
- DIMENSION INDICATES MATING AREA.



SECTION J-J



| | | | | | | | | | | |
|----------|------------------|------------------|------------------|------------------|------------------|------------------|------------------|-----------------|---------|-------------|
| | 42.57 [1.676] | 31.24 [1.230] | 41.91 [1.650] | 26.67 [1.050] | 31.98 [1.259] | 36.83 [1.450] | 43.18 [1.700] | 16 | E | 5-1761185-6 |
| | 32.41 [1.276] | 21.08 [.830] | 31.75 [1.250] | 16.51 [.650] | 21.82 [.859] | 26.67 [1.050] | 33.02 [1.300] | 8 | E | 5-1761185-3 |
| OBSOLETE | 29.87 [1.176] | 18.54 [.730] | 29.21 [1.150] | 13.97 [.550] | 19.28 [.759] | 24.13 [.950] | 30.48 [1.200] | 6 | E | 5-1761185-2 |
| | 27.33 [1.076] | 16.00 [.630] | 26.67 [1.050] | 11.43 [.450] | 16.74 [.659] | 21.59 [.850] | 27.94 [1.100] | 4 | E | 5-1761185-1 |
| | 27.33 [1.076] | 16.00 [.630] | 26.67 [1.050] | 11.43 [.450] | 16.74 [.659] | 21.59 [.850] | 27.94 [1.100] | 4 | D | 4-1761185-1 |
| | 32.41 [1.276] | 21.08 [.830] | 31.75 [1.250] | 16.51 [.650] | 21.82 [.859] | 26.67 [1.050] | 33.02 [1.300] | 8 | C | 3-1761185-3 |
| OBSOLETE | 42.57 [1.676] | 31.24 [1.230] | 41.91 [1.650] | 26.67 [1.050] | 31.98 [1.259] | 36.83 [1.450] | 43.18 [1.700] | 16 | A | 1-1761185-6 |
| | 32.41 [1.276] | 21.08 [.830] | 31.75 [1.250] | 16.51 [.650] | 21.82 [.859] | 26.67 [1.050] | 33.02 [1.300] | 8 | A | 1-1761185-3 |
| | 29.87 [1.176] | 18.54 [.730] | 29.21 [1.150] | 13.97 [.550] | 19.28 [.759] | 24.13 [.950] | 30.48 [1.200] | 6 | A | 1-1761185-2 |
| | 27.33 [1.076] | 16.00 [.630] | 26.67 [1.050] | 11.43 [.450] | 16.74 [.659] | 21.59 [.850] | 27.94 [1.100] | 4 | A | 1-1761185-1 |
| G | F | E | D | C | B | A | NO OF POSN | KEY I.D. LETTER | PART NO | |

THIS DRAWING IS A CONTROLLED DOCUMENT.

| | | | | |
|-------------------------|--|-----------------------------|-----------------------------|--|
| DIMENSIONS: mm [INCHES] | TOLERANCES UNLESS OTHERWISE SPECIFIED: | DIN B MCMASIER 26APR04 | APPROVED M. WALSLEY 26APR04 | NAME |
| 0 PLC ± - | 1 PLC ± - | APPROVED C. ROHDE 26APR04 | NAME | RECEPTACLE ASSEMBLY, SIDE ENTRY WITH GROUND, SDL |
| 2 PLC ± - | 3 PLC ± 0.381 [015] | APPROVED M. WALSLEY 26APR04 | NAME | PRODUCT SPEC 108-2047 |
| 4 PLC ± - | ANGLES ± - | APPROVED | NAME | APPLICATION SPEC 114-2081 |
| MATERIAL | FINISH | WEIGHT | SIZE | CAGE CODE |
| | | | A1 | 00779 |
| | | | SCALE | SHEET |
| | | | 4:1 | 1 of 1 |

STE TE Connectivity

RESTRICTED TO

CUSTOMER DRAWING